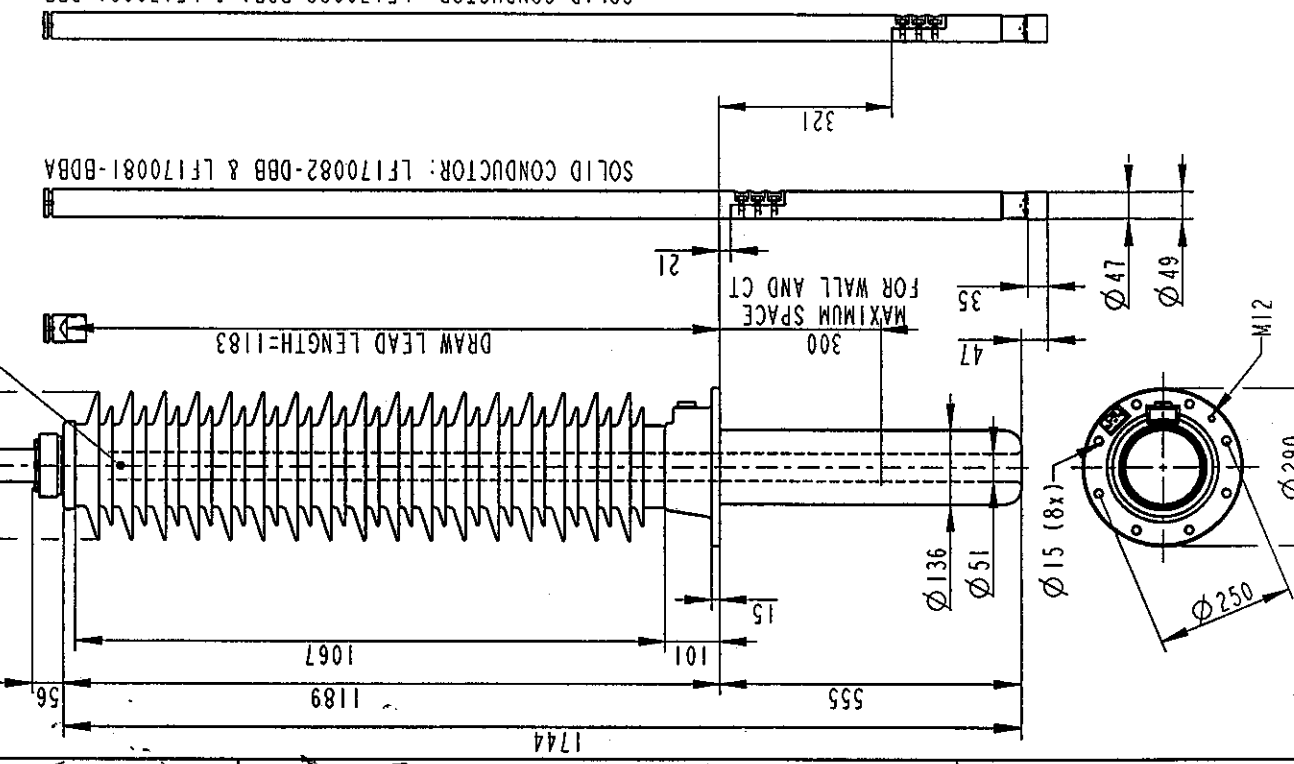
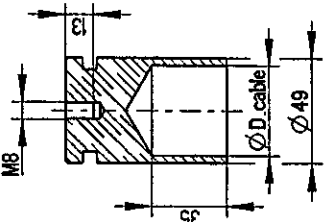


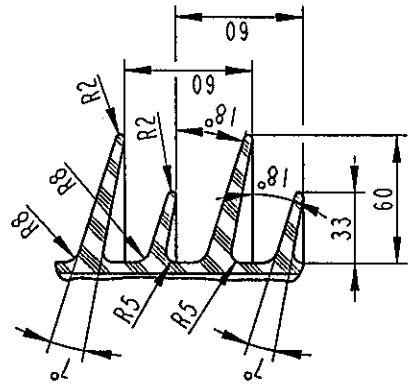
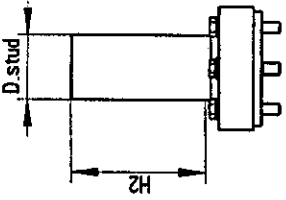
BUSHING NAME: LF130123-BB



INNER TERMINAL	
Catalogue No.	D. cable MASS
LF170080-A	5
LF170080-B	11
LF170080-C	13
LF170080-D	15
LF170080-E	18
LF170080-F	30
LF170080-G	42
LF170080-H	45



OUTER TERMINAL	
Catalogue No.	MATERIAL MASS H2 D. STUD
LF170079-A	AL 23 125 60
LF170079-B	AL 16 125 30
LF170079-C	CU 62 125 60
LF170079-D	CU 36 125 30
LF170079-E	CU/SN 62 125 60
LF170079-F	CU/SN 36 125 30
LF170079-G	CU/AG 62 125 60
LF170079-H	CU/AG 36 125 30



**ABB Components** Luchka, Sweden  
LF130123-BB

No. 170/170 W 1600 A 50/60 Hz  
 U / S / AC 550 / - / 250 V 0-90  
 M 50 kg L 555 mm V 0-90  
 C1 pF  $T_{m\Delta}$   
 C2 pF  $T_{m\Delta}$

ELECTRICAL DATA, according to IEC 137		
Ratings	Rated voltage	170 kV
	Max phase to earth voltage, temporary	170 kV
	Max current with Cu-conductor	1600 A
	Max current with stranded cable 740 mm <sup>2</sup>	1000 A
	Dry lightning impulse	550 kV
	Wet power frequency	230 kV
	Dry power frequency	260 kV
	Nominal capacitance	295 pF
	Rolling test	260 kV
Capacitance		295 pF
GENERAL DATA, according to IEC 137		
Silicone rubber insulator	Creepage distance	3913 mm
	Protected creepage distance	1700 mm
	Colour	GREY RAL 7035
Mass	Mass bushing	50 kg
Cantilever load	Cantilever test load, heavy load	4000 N
	Max cantilever operating load, bushing	2000 N
Temp class	Temperature class	CLASS 2
Mounting and service instructions		2750 515-1F5
ELECTRICAL DATA according to ANSI C57.19.00		
Ratings	Insulation class	1F5 kV
	Rated max line to ground voltage	88 kV
	Max current with Cu-conductor	1600 A
	Max current with stranded cable 740 mm <sup>2</sup>	1000 A

Based on	Reg. No.	Title
Prepared	Responsible department	OIL-AIR BUSHING
LINUSSON	COM/BKU 96 44	GSAL123-OA/1600/0.3
Approved	Issued over department	
JACOBSON	Database	
Revision		
Inspection engineering review		
JOHANSSON		
Design engineering review		
PETRICI		
ABB ABID B Components		Doc. No. 2751362-DBB
		Page 1(1)
		Language 82

ABB reserves all rights in this document and in the information contained therein. Reproduction, use or disclosure in third parties without express authorisation is strictly forbidden.